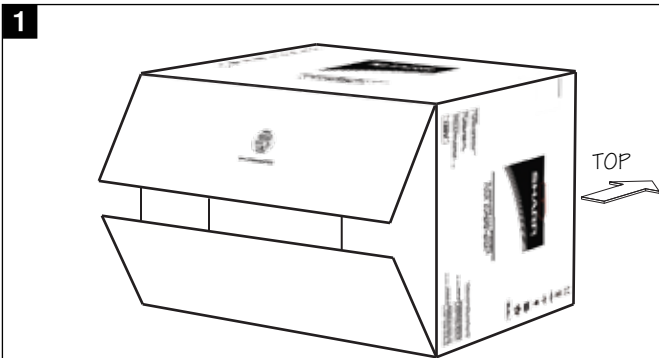


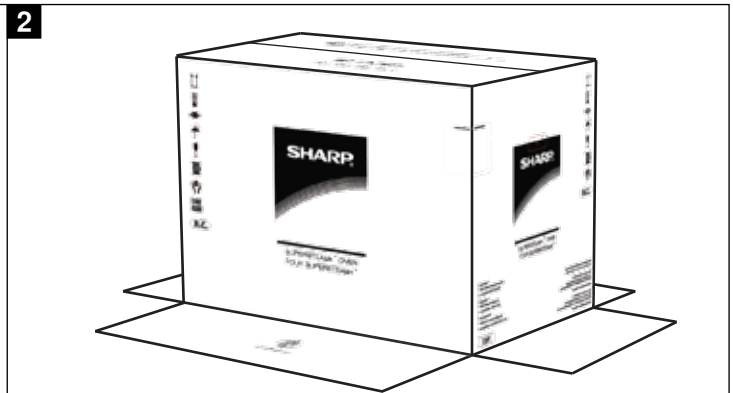
SSC3088AS SUPERSTEAM+ OVEN UNPACKING INSTRUCTIONS

Follow instructions to properly unpack product. Use minimum of 2 people to unpack, lift and install.

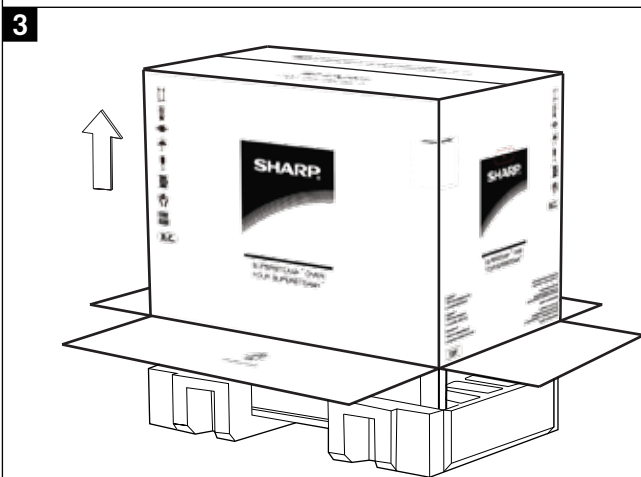
⚠ WARNING Always take caution lifting heavy products.



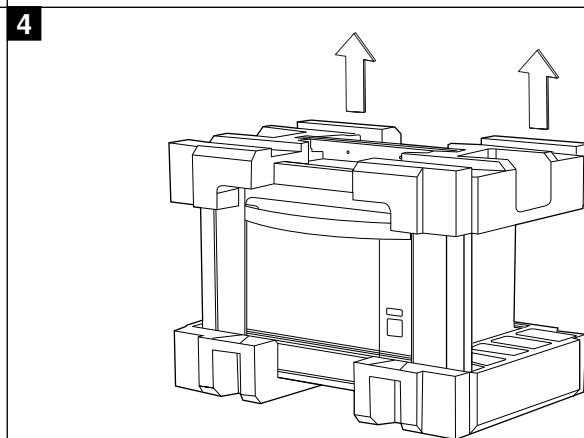
Turn box on its side and open bottom.



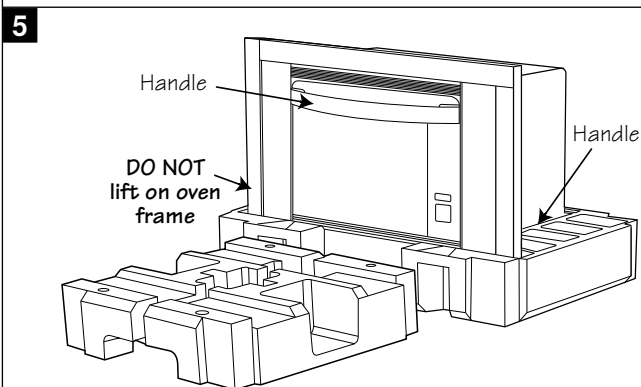
Carefully rotate box right side up with flaps out.



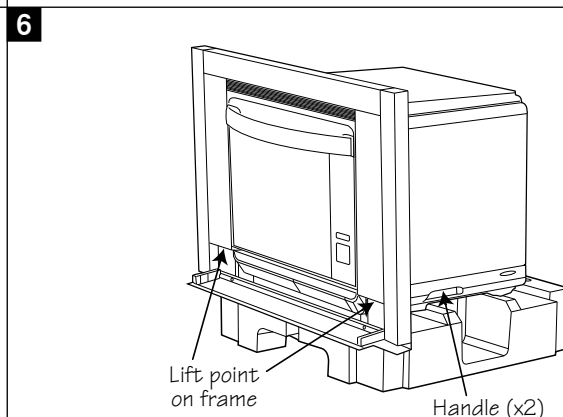
Remove box by pulling up and recycle cardboard.



Remove top foam packing and place in front of the unit as shown in figure 5.



Carefully lift from front handle and lower center back of oven.
Place on to top packing foam with frame overhanging the edge as shown in figure 6.



Remove all packing material. Review installation instructions.
Lower drip tray door and lift from these points for installation.